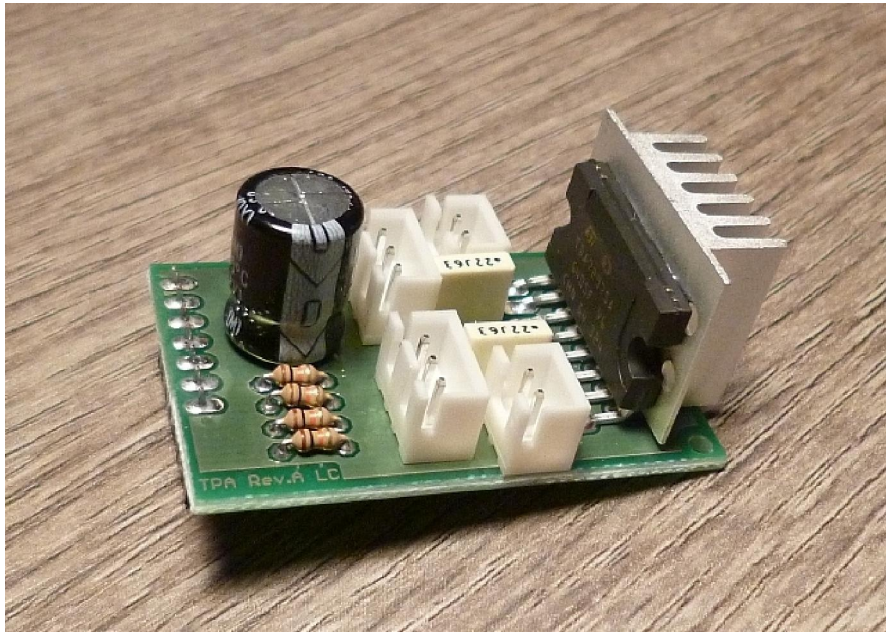


[TPA \(Twin channel audio amplifier for IBU2\)](#)

The TPA is a twin channel (6W+6W) audio amplifier allowing the use of two speakers, one channel is dedicated to play the engine sound and the other to play all the sound effects, both channels have a separate volume control for fine level adjustment.

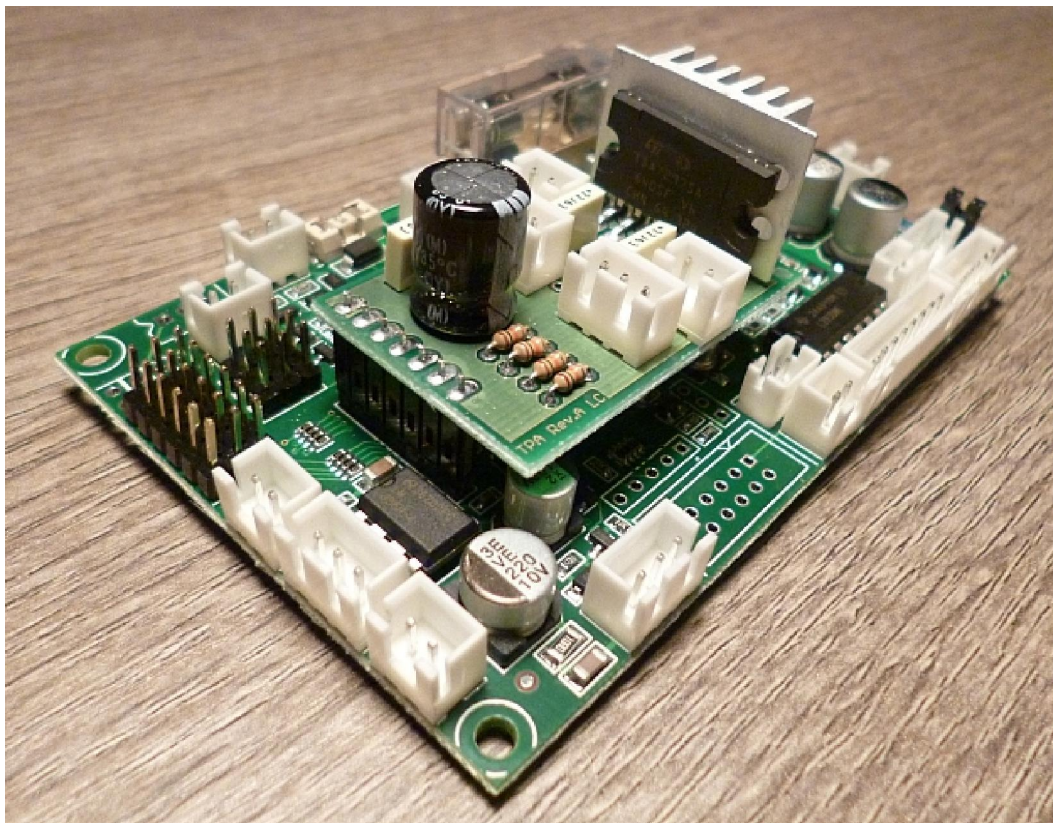
The module is capable to deliver 6 Watt each channel (using 2 cells Li-Po or 6 cells Ni-Mh) or 10 Watt each channel (using 3 cells Li-Po or 8/10 cells Ni-Mh)



Installation

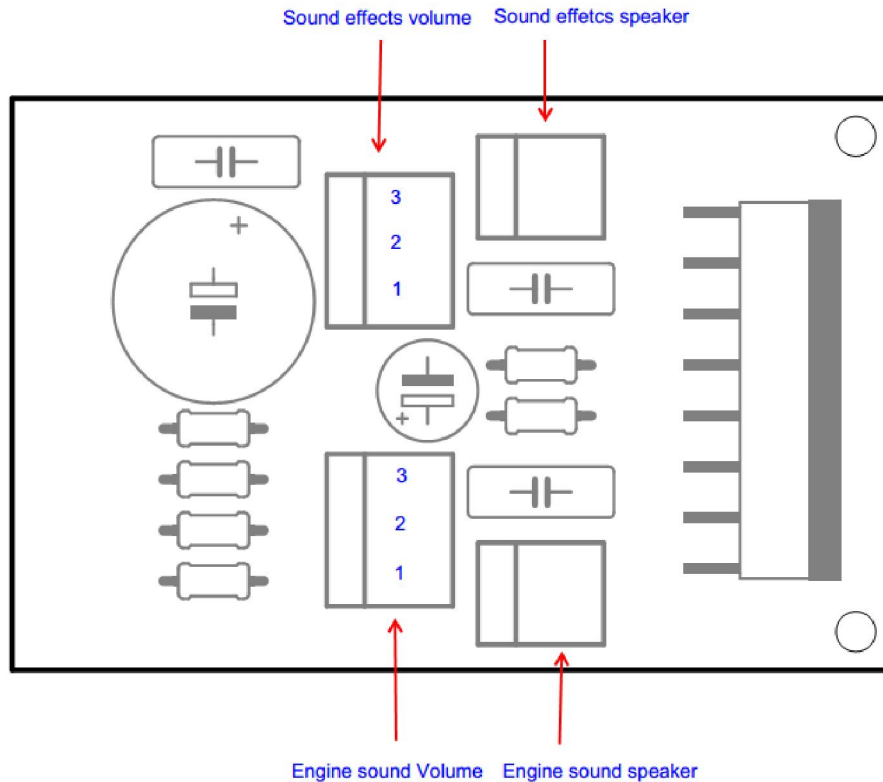
Be sure to have the main switch of the tank turned off.

Carefully insert the module on the header named "AUDIO UPGRADE PORT" (refer to fig. 2 at page 4 of the IBU2 manual) as shown in the picture below.



Verify that there is no free male pins of the header left free.

(all the seven male pins must be thoroughly inserted into the female socket of the TPA)



Referring to the diagram above, connect the volume pots and the speakers to the respective headers on the module. The original HL volume control can be used and plugged directly, if desired the volume control can be replaced by a standard single 10 KOhm 100 mW potentiometer.

Warning

The amplifier chip outputs cannot be connected together to a single speaker, otherwise the chip can be permanently damaged, furthermore the module is designed to be used with the IBU2 (Base or Pro) card only, the Manufacturer nor the Dealers are not responsible for any damage caused by a misuse or wrong installation of the and no warranty will be applied in one of the case above described.

Design, production and product support:

I.B.U. by BrettI Ivano
<http://www.ibu-electronics.com>
 Via Vittorio Emanuele, 70
 12048 Sommariva del Bosco
 Cuneo – Italia
 C.F. BRTVNI60R03E379T
 P. IVA 03507690042